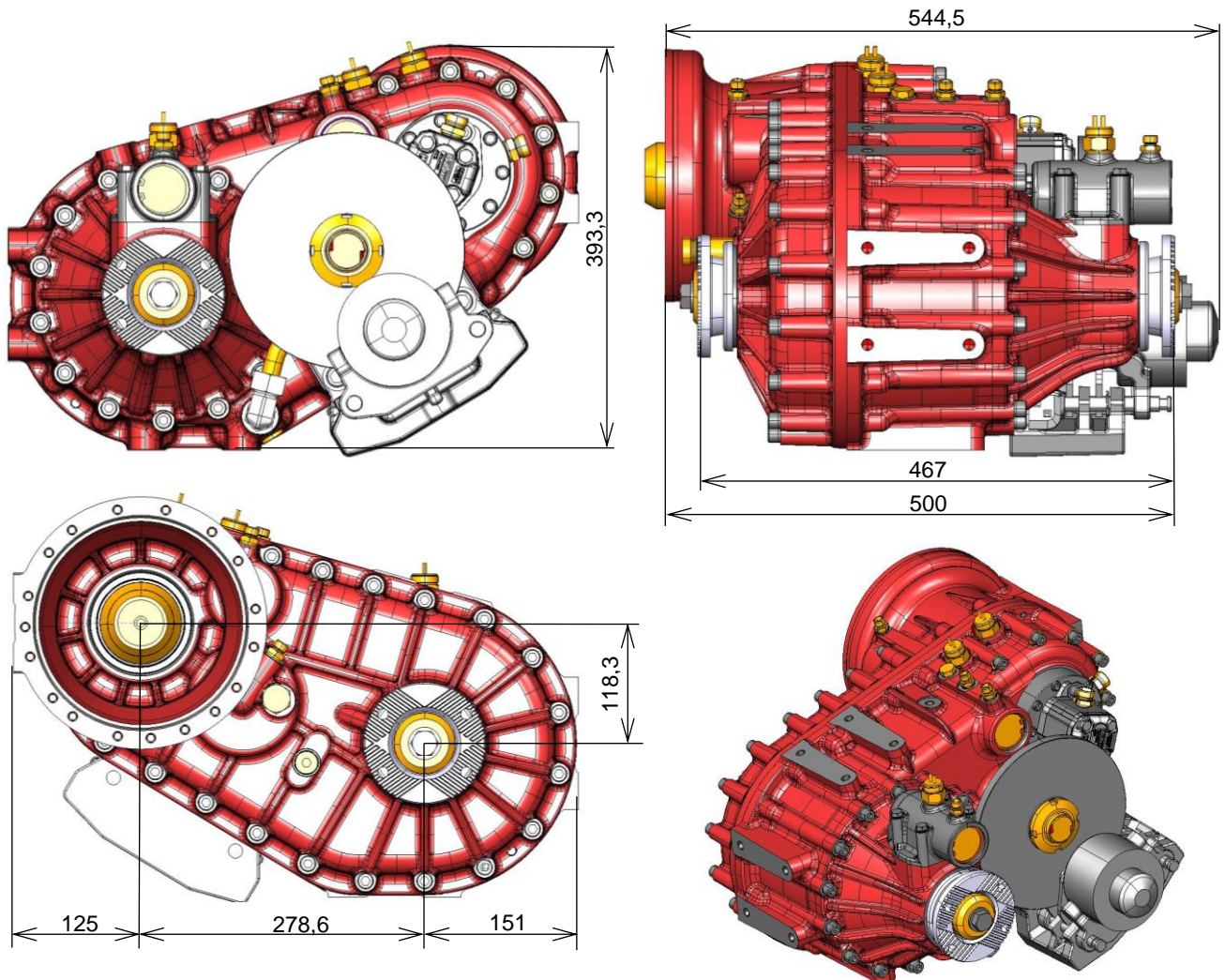


PRODUCT SPECIFICATION

TRANSFER CASE TCP500



TECHNICAL DATA

| | | | | |
|---------------------------------|--|------------|-----------|--|
| Maximum Input Torque | 5 000 Nm | | | |
| Maximum Input Speed version V1 | 4 000 RPM | | | |
| Total Offset Distance | 260 mm | | | |
| High Speed Ratio | 3,64 | | | |
| Low Speed Ratio | 7,50 | | | |
| Split torque differential Ratio | 50:50 with Lock | | | |
| Shifting – | air operated, electrical signal in high and low speed position air operated, electrical signal in differential lock on position air pressure 6,5÷9,5 bar | | | |
| Lubrication – | internal oil pump, possibility of external cooling circuit | | | |
| Oil Capacity | approx. 4 l | | | |
| Oil Specification | SAE 75W-90, Multi-Purpose Gear Oil, API-GL-5 or MIL-L-2105C or CD | | | |
| Maximum Working Temperature | 125°C | | | |
| Weight | approx. 98 kg | | | |
| Flanges | Input | Front Axle | Rear Axle | |
| | Direct mount to Allison 2500 | KV120 | KV120 | |
| Parking Brake Type | KNOTT FSG90, 70% slope capability for GVW 7,5t | | | |

Address: Lubina 462, 742 21 Kopřivnice, CZECH REPUBLIC

Phone: +420 556 808 037, Fax: +420 556 808 685, vneuman@ads-cz.com, www.ads-cz.com