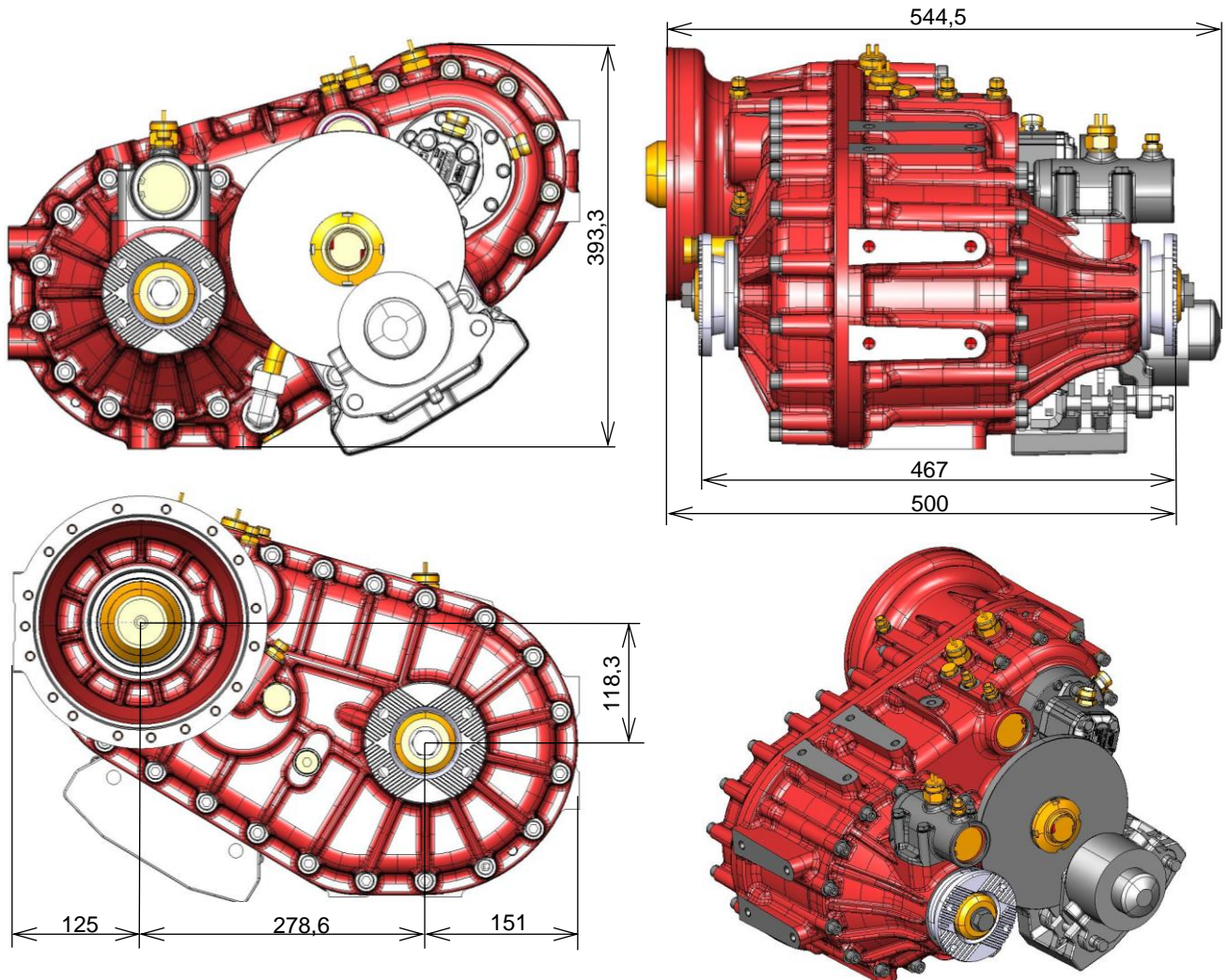


PRODUCT SPECIFICATION

TRANSFER CASE TCP500



TECHNICAL DATA

Maximum Input Torque	5 000 Nm		
Maximum Input Speed version V1	4 000 RPM		
Total Offset Distance	302,7 mm		
High Speed Ratio	3,75	3,15	
Low Speed Ratio	7,30	6,60	
Split torque differential Ratio	50:50 with Lock		
Shifting –	air operated, electrical signal in high and low speed position air operated, electrical signal in differential lock on position air pressure 6,5÷9,5 bar		
Lubrication –	internal oil pump, possibility of external cooling circuit		
Oil Capacity	approx. 4 l		
Oil Specification	SAE 75W-90, Multi-Purpose Gear Oil, API-GL-5 or MIL-L-2105C or CD		
Maximum Working Temperature	125°C		
Weight	144 Kg		
Flanges	Input	Front Axle	Rear Axle
	Direct mount to Allison 2500 (option: Remote)	KV120	KV120
Parking Brake Type	KNOTT FSG90, 70% slope capability for GVW 7,5t		

Address: Lubina 462, 742 21 Kopřivnice, CZECH REPUBLIC
 Phone: +420 556 808 037, Fax: +420 556 808 685, vneuman@ads-cz.com, www.ads-cz.com