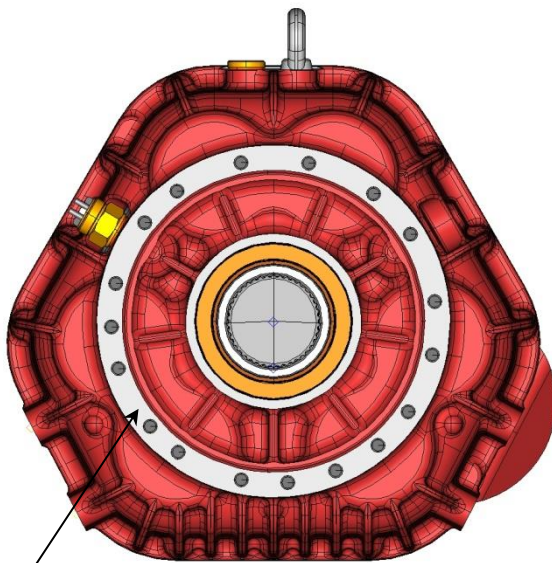
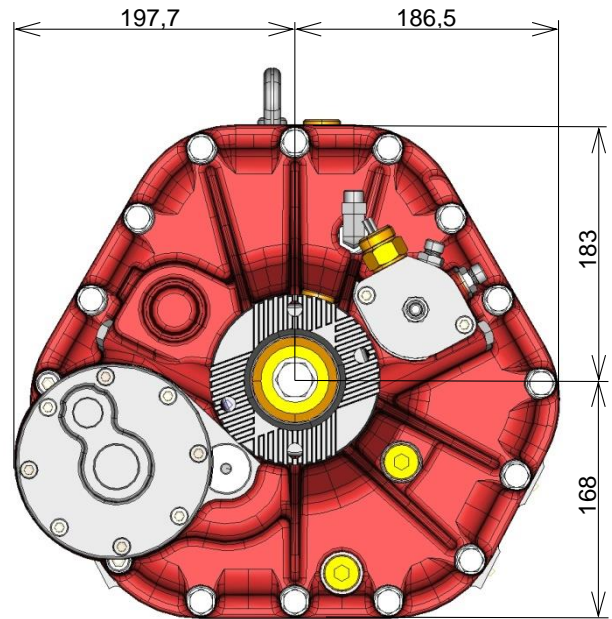
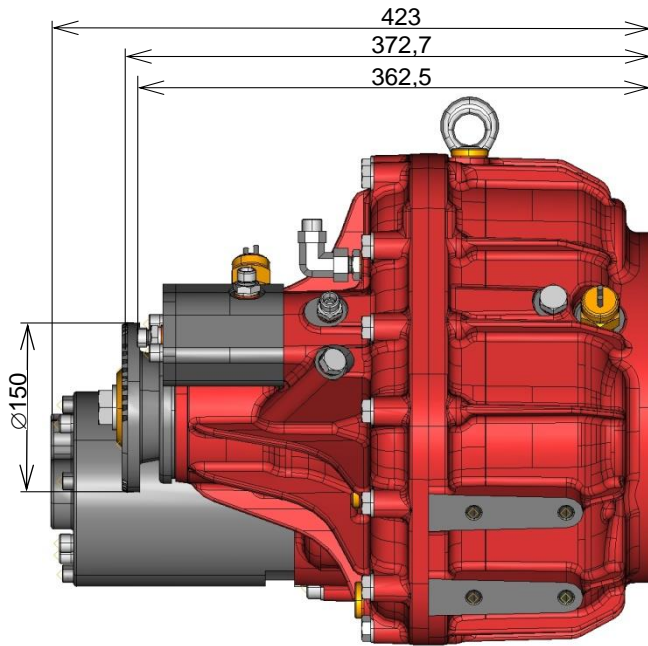
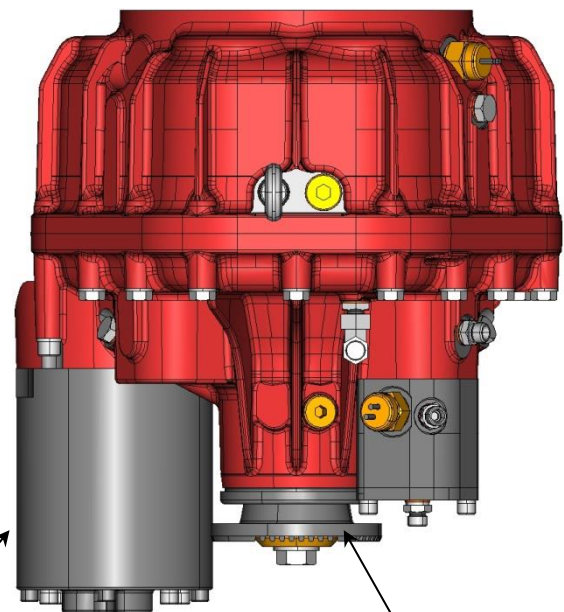


PRODUCT SPECIFICATION

REVERSE GEARBOX WG600



FLANGE FOR ALLISON 1000



EMERGENCY STEERING PUMP*

OUTPUT FLANGE

*OPTIONAL ACCESSORY

PRODUCT SPECIFICATION

REVERSE GEARBOX WG600

TECHNICAL DATA

Maximum Input Torque	5 900 Nm		
Maximum Input Speed version V1	4 500 RPM		
Total Offset Distance	0 mm		
Split torque differential Ratio	1:1		
Shifting –	air operated, electrical signal in speed position and reverse speed position air pressure 6,5÷8,5 bar		
Oil Capacity	2,0l – according oil level plug		
Oil Specification	SAE 75W-90, Multi-Purpose Gear Oil, API-GL-5 or MIL-L-2105C or CD		
Maximum Working Temperature	130°C		
Weight	94,5 kg		
Flanges ISO 8667	Input	Output	
	DIRECT MOUNTING	KV120	

*OPTIONAL ACCESSORIES

Direct mount provision	For Allison 1000
Emergency steering pump option	Yes / No

